



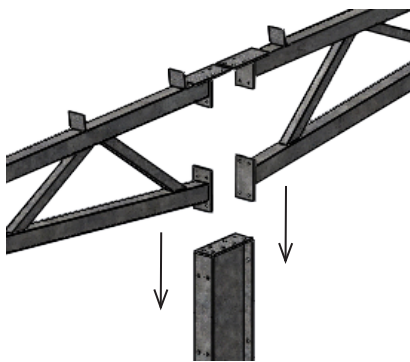
GALACTIC

T-Frame Solar Carport - 33 or 36 Panel

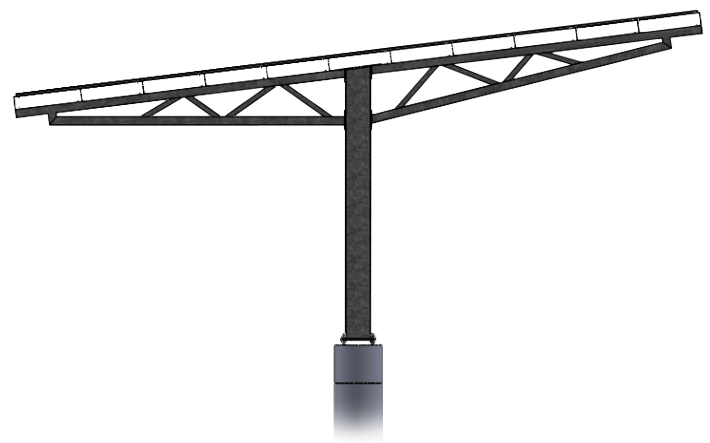
Simple & Quick Installation

The Solar Carport is able to accommodate virtually any solar panel style and manufacturer and is comprised of all galvanized steel to protect it from corrosion. The purlin rail design allows for installers to mount panels from underneath the structure resulting in a major reduction in installation time and effort. Bolted rail and truss assembly eliminates costly welding requirements.

Truss Assembly



Side View

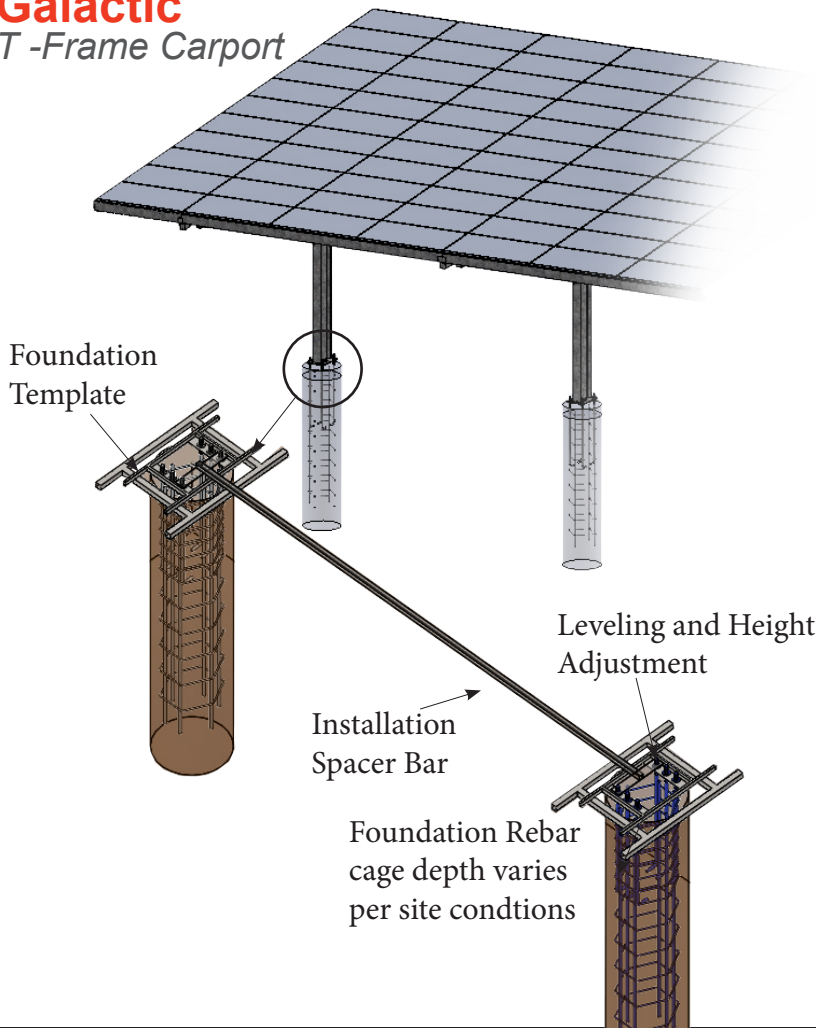


Key Features

- Panel installation from under panels
- Galvanized and hot-dipped steel construction
- Bolted connection - no field welding
- Pre-wired foundation, bolt cage included
- Aesthetically pleasing clean design
- Material comes finished, no need for paint
- 20-year guarantee against mechanical failure (breakage) of the frame construction

"Your Single Solar Source"

Galactic T-Frame Carport



Technical Specifications

Application	Parking Area or Sidewalk
Foundation	Concrete
Modules per Section	33 Modules (6 tall x 5.5 wide) 36 Modules (6 tall x 6 wide)
Ground Space Per Section	Landscape - EW - 19' 4" NS - 36' 1" / 40' Portrait - EW - 18' or 19' 8" NS - 38' 5"
Module Orientation	Portrait or Landscape
Module Compatibility	All Major Brands - 60 & 72 Cell Modules
Tilt Angle Available	7° - Standard 5° - available upon order
Ground Clearance	Standard - 14' clearance
Wind Load	Up to 125 MPH *
Snow Load	Up to 50 PSF *
Post Spacing	19' 4" - Landscape 18', 19' 8" - Portrait
Cantilever	1 or 2 panels
Purlin Length	Landscape - 232" Portrait - 216"
Material Composition	Hot-Dipped Galvanized Steel, 16" I-Beam Post, Welded Girder Truss, Heavy C-Channel Purlin
Warranty	20 Years

Major Components

1. Steel Post - 16" I-Beam

Multiple lengths available to meet various height clearances. Pre-punched holes for bolting carport truss. Foundation bolted with leveling adjustment and +/- 1" of height adjustment.

2. Bolted Truss - Girder Style

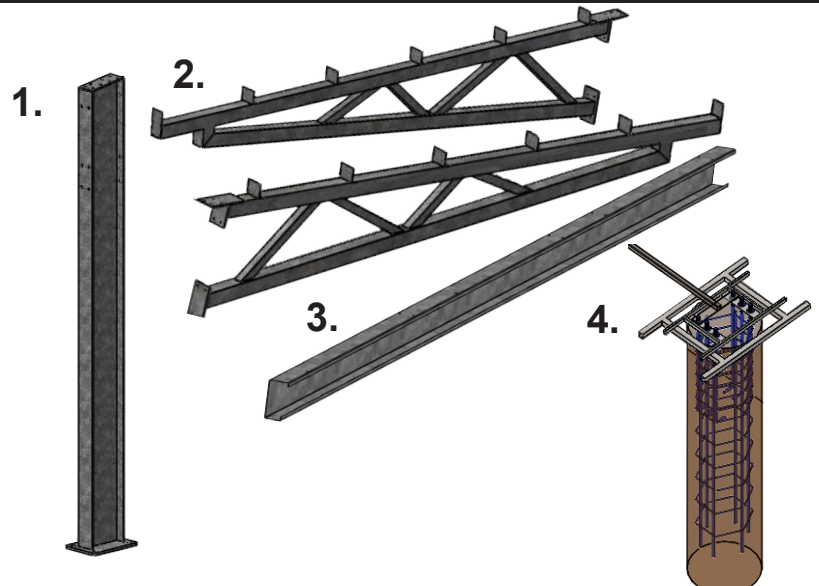
Pre-punched truss design allows for faster connection to post. Truss is designed for 5 or 7 degree tilt angle.

3. Purlin

Panels are installed in a matter of seconds without any top clamp hardware. Panels are attached from underneath the structure using bolts through the module mounting holes.

4. Foundation Rebar Cage

Pre-fabricated foundation rebar cages with welded J-bolts. Rebar cages are ready for installation upon arrival.



No.	Part	STARTER SECTION	ADD-ON SECTION
1.	Steel Post	2 pcs	1 pc
2.	Angle Truss	4 pcs	2 pc
3.	Stamped Purlin	12 pcs	12 pcs
4.	Foundation Cage Rebar Cage	2 pcs	1 pc

All assembly hardware included.

*Snow loads are ground snow loads estimated at 7 deg.
*Wind loads are estimated at 7 deg.

*All specifications subject to change without notice.